

AXIS M11 Network Camera Series

Compact and affordable high-resolution cameras for professional surveillance.



- > Excellent image quality
- > Multiple H.264 streams
- > Power over Ethernet
- > Pixel counter
- > Digital PTZ

AXIS M11 Series offers professional and cost-effective fixed cameras suitable for a wide range of video surveillance applications, such as for retail and banking as well as libraries and other office buildings.

AXIS M11 Network Camera Series offer excellent image quality with progressive scan and providing crisp and clear images of both illuminated and low-light areas. AXIS M11 Series ranges from SVGA-resolution cameras to 1-megapixel cameras, which also provide HDTV 720p full frame rate video.

Multiple H.264 streams, as well as Motion JPEG streams, can be provided either in full frame rate or individually optimized for different quality needs and bandwidth constraints.

Power over Ethernet supplies power to the cameras via the network, eliminating the need for power cables and reducing installation costs.

The pixel counter further helps the installer verify that the pixel resolution of an object or face fulfills regulatory or specific customer requirements, for example, for facial identification purposes.

AXIS M11 Series supports digital pan/tilt/zoom, which allows a view cropped from the full view to be streamed for viewing or recording.



Technical Specifications – AXIS M11 Network Camera Series

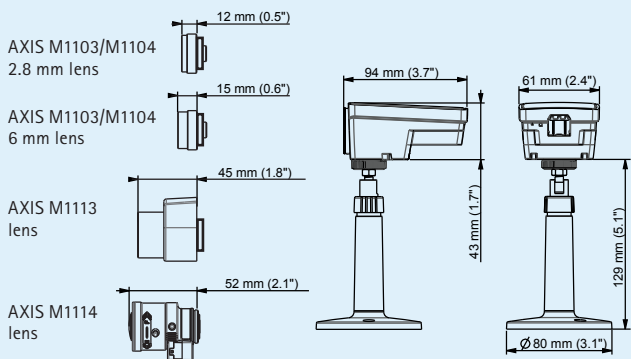
Camera	
Models	AXIS M1103, fixed focal lens: SVGA resolution AXIS M1104, fixed focal lens: 1 MP/HDTV 720p AXIS M1113, varifocal, DC-iris lens: SVGA resolution AXIS M1114, varifocal, DC-iris lens: 1 MP/HDTV 720p
Image sensor	1/4" progressive scan RGB CMOS
Lens	AXIS M1103 2.8 mm: 66° view*, F2.0, fixed iris, CS mount AXIS M1103 6 mm: 31° view*, F1.8, fixed iris, CS mount AXIS M1104 2.8 mm: 80° view*, F2.0, fixed iris, CS mount AXIS M1104 6 mm: 37° view*, F1.8, fixed iris, CS mount AXIS M1113: Varifocal 2.9 – 8.2 mm: 65° – 25° view*, F1.4, DC-iris, CS mount AXIS M1114: Varifocal 2.8 – 8 mm: 87° – 29° view*, F1.2, DC-iris, CS mount *horizontal angle of view
Light sensitivity/Min. Illumination	AXIS M1103/AXIS M1104 2.8mm: 1.0 – 100000 lux, F2.0 AXIS M1103/AXIS M1104 6mm: 0.9 – 100000 lux, F1.8 AXIS M1113: 0.6 lux, F1.4 AXIS M1114: 0.6 lux, F1.2
Shutter time	1/24 500 s to 1/6 s
Video	
Video compression	H.264 (MPEG-4 Part 10/AVC) Motion JPEG
Resolutions	AXIS M1103/AXIS M1113: 800x600 to 160x90 AXIS M1104/AXIS M1114: 1280x800 to 160x90* *1440x900 (1.3 MP) scaled resolution available via VAPIX®
Frame rate H.264	30 fps in all resolutions
Frame rate Motion JPEG	30 fps in all resolutions
Video streaming	Multiple, individually configurable streams in H.264 and Motion JPEG Controllable frame rate and bandwidth VBR/CBR H.264
Pan/Tilt/Zoom	Digital PTZ, preset positions, guard tour
Image settings	Compression, color, brightness, sharpness, contrast, white balance, exposure control, exposure zones, backlight compensation, fine tuning of behavior at low light, mirroring of images Rotation – including Corridor Format™ Text and image overlay, privacy mask
Network	
Security	Password protection, IP address filtering, HTTPS** encryption, digest authentication, user access log
Supported protocols	IPv4/v6, HTTP, HTTPS**, QoS Layer 3 DiffServ, FTP, SMTP, Bonjour, UPnP, SNMPv1/v2c/v3(MIB-II), DNS, DynDNS, NTP, RTSP, RTP, TCP, UDP, IGMP, RTCP, ICMP, DHCP, ARP, SOCKS

System integration	
Application Programming Interface	Open API for software integration, including VAPIX® from Axis Communications, specifications available at www.axis.com Support for AXIS Video Hosting System (AVHS) with One-Click Camera connection
Intelligent video	Video motion detection, active tampering alarm
Alarm triggers	Intelligent video
Alarm events	File upload via FTP, HTTP and email Notification via email, HTTP and TCP
Video buffer	25 MB pre- and post alarm
Installation aids in software	Pixel counter
General	
Casing	Aluminum and plastic
Processor and memory	ARTPEC-3, 128 MB RAM, 128 MB Flash
Power	Power over Ethernet IEEE 802.3af Class 1
Connectors	RJ-45 10BASE-T/100BASE-TX PoE
Operating conditions	-20 – 50°C (-4 – 122°F) Humidity 20 – 80% RH (non-condensing)
Approvals	EN 55022 Class B, EN 61000-3-2, EN 61000-3-3, EN 61000-6-1, EN 61000-6-3, EN 55024, FCC Part 15 Subpart B Class B, ICES-003 Class B, VCCI Class B, C-tick AS/NZS CISPR 22, KCC Class A, EN 60950-1
Weight	AXIS M1103/AXIS M1104: 170 g (0.37 lb.) AXIS M1113: 200 g (0.44 lb.) AXIS M1114: 210 g (0.46 lb.)
Included accessories	Stand, Installation Guide, CD with installation tools, recording software and User's Manual, Windows decoder 1-user license
Optional accessories	Various housings AXIS T8412 Installation Display AXIS P8221 Network I/O Audio Module AXIS Power over Ethernet Midspans Lenses
Video management software (not incl.)	AXIS Camera Station – Video management software for viewing and recording up to 50 cameras. For more software application via partners, see www.axis.com/products/video/software/

** This product includes software developed by the OpenSSL Project for use in the OpenSSL Toolkit. (www.openssl.org)

More information is available at www.axis.com

Dimensions



Optional accessories

AXIS T8412 Installation Display



AXIS P8221 Network I/O Audio Module



Lenses

